



We didn't invent fire...



...we just perfected it!

Introducing the latest member of the Fireeye parallel positioning family, the **Fireeye PPC 6000**. Fireeye's continued commitment to innovation in the combustion control industry has produced the most compact and advanced stand-alone parallel positioning system in the industry.

With only a 4.5" x 7.0" x 3.75" footprint, the **Fireeye PPC 6000** is packed with features:

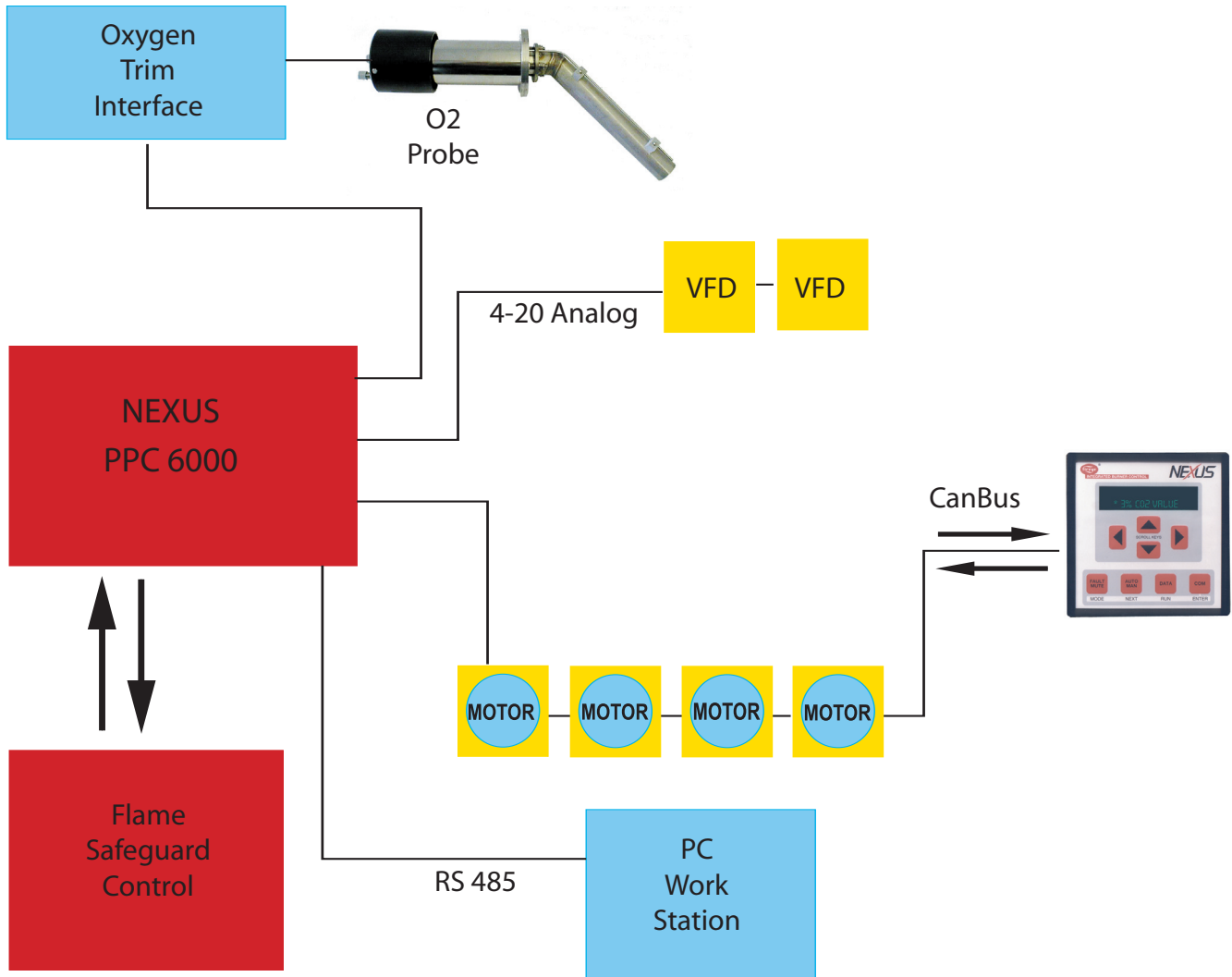
- *Three levels of multifunction vacuum fluorescent displays*
 - Standard
 - Data logging
 - Options parameters and profile upload/download
- *Four Fuel Profiles*
- *Up to ten 24 volt servo motors*
- *Wide range of servo motors; 3, 10, 15, 37 ft/lb*
- *CanBus two wire communication simplifies servo and display wiring*
- *Optional O₂ Trim, Optional Variable Frequency Drive*
- *Optional Communications Platforms*
- *Four user defined digital inputs*
- *Two PID Control Loops*
- *Function Block Programming of PID with Optional Abacus Software*

The Fireye PPC 6000 is an advanced microprocessor based fuel/air ratio controller for industrial or commercial burners firing gaseous or liquid fuels.

The PPC 6000 controls up to ten servo motors, positioning them to within one tenth of an angular degree.

Four programmable profiles are available that determine the positional relationship between all servo motors across the firing range of the burner.

The servo motors are controlled via a secure CanBus communications link and are non-monotonic which make them especially suited for burners with FGR.



Variable speed interfaces are available to control, via inverters, the burner fan motor as well as FGR fans. Controlling the fuel/air ratio by adjustment of fan speed saves electrical energy and reduces noise. When the motor speed is halved an 80% electrical energy saving is achieved. Up to four variable speed interfaces can be added to a single PPC 6000. Another option of the PPC6000 is Oxygen trim control.

Fireye's zirconia oxygen probe has earned an international reputation for reliability and longevity. Oxygen trim automatically and continuously compensates for all the variables that affect efficient combustion. This option will give typical fuel savings of 2% and will ensure safe and efficient combustion when firing fuels with varying calorific value.



A UTC Fire & Security Company

The Combustion Control Specialists

3 Manchester Road • Derry, NH 03038 USA
www.fireye.com

PPC-6000CS
JUNE 2006